

PINBUSH COUPLING & TYRE COUPLING



PIN BUSH COUPLINGS :

- Simplicity in Construction.
- Accommodates angular, parallel and axial misalignment.
- Low operational cost.
- Easy assembly and maintenance.
- No lubrication is required.
- Varying stiffness characteristics.

TYRE COUPLINGS :

- Highest misalignment tolerance.
- Better Protection in Import load and heavy shock.
- Easy Assemble & Disassemble.
- No need for lubrication.
- Torsionally soft coupling.

PIN BUSH COUPLINGS :

Flexocon Pin Bush Couplings consists of a set of high quality rubber with pins and nuts and two flanged hubs of graded Cast Iron.

Flexocon Pinbush coupling permits drive in either direction and requires no lubrication.

TYRE COUPLINGS :

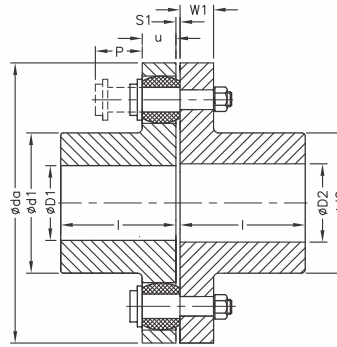
Flexocon Tyre Coupling is primarily designed to allow for misalignment both angular and parallel and compensates for end float. Torsional vibration is reduced and shock loads minimized by the flexing body. The coupling has been successfully subjected under normal circumstances, to angular misalignment up to 4°, parallel misalignment up to 3 mm and end float up to 8mm. The design of the coupling having a flexing member with remarkable durability suppresses the initial shock load and eliminates to a marked degree the stresses common to power driven machinery.



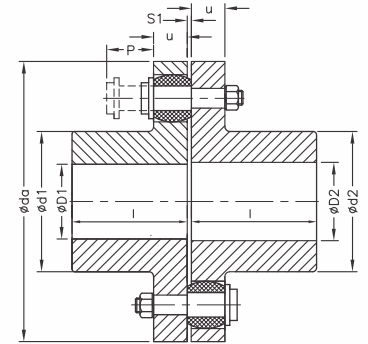
PINBUSH COUPLING WITH CURVED BUSH

SERIES F : with Cash Iron Hubs

SERIES FS : with Cast/Forged Steel Hubs



SIZES: FPB 105–FPB 360



SIZES: FPB 400–FPB 1250

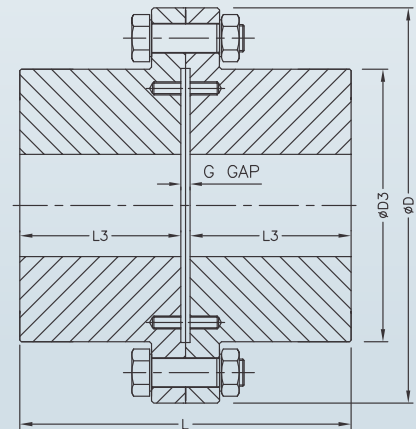
DIMENSIONS AND ENGINEERING DATA FOR PIN BUSH COUPLING

| Size | Power KW/100 RPM | Max Speed (RPM) | | Max Torque in KGM | Wt. in Kg. | Bore (mm) | | | | | do mm | d1 mm | d2 mm | l mm | P mm | S1 mm | W1 mm | U mm | No. of Pin |
|----------|------------------|-----------------|-----------|-------------------|------------|-----------|-----------|------------|-----------|------------|-------|-------|-------|------|------|-------|-------|------|------------|
| | | Series F | Series FS | | | Min. | D1-F max. | D1-FS max. | D2-F max. | D2-FS max. | | | | | | | | | |
| FPB-105 | 2.1 | 5000 | 5000 | 20 | 3 | 12 | 32 | 32 | 38 | 38 | 105 | 53 | 59 | 45 | 30 | 3 | 12 | 13 | 8 |
| FPB-125 | 3.6 | 5000 | 5000 | 35 | 5 | 16 | 40 | 40 | 48 | 48 | 125 | 65 | 68 | 50 | 35 | 3 | 15 | 16 | 8 |
| FPB-144 | 5.2 | 4900 | 5000 | 50 | 7 | 20 | 45 | 50 | 55 | 60 | 144 | 76 | 84 | 55 | 35 | 3 | 15 | 16 | 10 |
| FPB-162 | 7.8 | 4300 | 5000 | 75 | 10 | 20 | 50 | 55 | 60 | 65 | 162 | 85 | 92 | 60 | 40 | 4 | 18 | 20 | 9 |
| FPB-178 | 9.9 | 3800 | 4900 | 95 | 13 | 20 | 60 | 70 | 70 | 75 | 178 | 102 | 108 | 70 | 40 | 4 | 18 | 20 | 10 |
| FPB-198 | 13.5 | 3400 | 4600 | 130 | 20 | 20 | 70 | 80 | 80 | 85 | 198 | 120 | 128 | 80 | 40 | 4 | 18 | 20 | 12 |
| FPB-228 | 22.9 | 3000 | 4400 | 220 | 30 | 24 | 80 | 85 | 90 | 95 | 228 | 129 | 140 | 90 | 50 | 4 | 24 | 26 | 11 |
| FPB-252 | 28.7 | 2700 | 4200 | 275 | 38 | 38 | 90 | 100 | 100 | 110 | 252 | 150 | 160 | 100 | 50 | 4 | 24 | 26 | 12 |
| FPB-285 | 44.8 | 2400 | 3900 | 430 | 50 | 48 | 100 | 110 | 110 | 120 | 285 | 164 | 175 | 110 | 60 | 5 | 30 | 32 | 11 |
| FPB-320 | 57.3 | 2100 | 3500 | 550 | 70 | 55 | 110 | 125 | 120 | 130 | 320 | 180 | 192 | 125 | 60 | 5 | 30 | 32 | 12 |
| FPB-360 | 81.3 | 1900 | 3100 | 780 | 100 | 65 | 120 | 135 | 130 | 140 | 360 | 200 | 210 | 140 | 75 | 5 | 42 | 42 | 10 |
| FPB-400 | 130 | 1700 | 2800 | 1250 | 135 | 75 | 140 | 150 | 140 | 150 | 400 | 230 | 230 | 160 | 75 | 5 | | 42 | 14 |
| FPB-450 | 193 | 1500 | 2500 | 1850 | 205 | 85 | 160 | 170 | 160 | 170 | 450 | 260 | 260 | 180 | 90 | 6 | | 52 | 12 |
| FPB-500 | 261 | 1350 | 220 | 2500 | 260 | 95 | 180 | 190 | 180 | 190 | 500 | 290 | 290 | 200 | 90 | 6 | | 52 | 14 |
| FPB-560 | 406 | 1200 | 2000 | 3900 | 330 | 100 | 200 | 210 | 200 | 210 | 560 | 320 | 320 | 220 | 120 | 6 | | 68 | 12 |
| FPB-630 | 542 | 1050 | 1800 | 5200 | 440 | 100 | 220 | 235 | 220 | 235 | 630 | 355 | 355 | 240 | 120 | 6 | | 68 | 14 |
| FPB-710 | 875 | 1000 | 1600 | 8400 | 590 | 110 | 240 | 250 | 240 | 250 | 710 | 385 | 385 | 260 | 140 | 8 | | 80 | 14 |
| FPB-800 | 1146 | 850 | 1400 | 11000 | 825 | 125 | 260 | 280 | 260 | 280 | 800 | 420 | 420 | 290 | 140 | 8 | | 80 | 16 |
| FPB-900 | 1563 | 750 | 1250 | 15000 | 1075 | 140 | 290 | 310 | 290 | 310 | 900 | 465 | 465 | 320 | 160 | 8 | | 90 | 16 |
| FPB-1000 | 2032 | 675 | 1100 | 19500 | 1450 | 150 | 320 | 340 | 320 | 340 | 1000 | 515 | 515 | 350 | 160 | 8 | | 90 | 18 |
| FPB-1120 | 2813 | 600 | 1000 | 27000 | 1950 | 160 | 350 | 370 | 350 | 370 | 1120 | 560 | 560 | 380 | 180 | 8 | | 100 | 18 |
| FPB-1250 | 3595 | 550 | 900 | 34500 | 2400 | 180 | 380 | 400 | 380 | 400 | 1250 | 610 | 610 | 420 | 180 | 8 | | 100 | 20 |

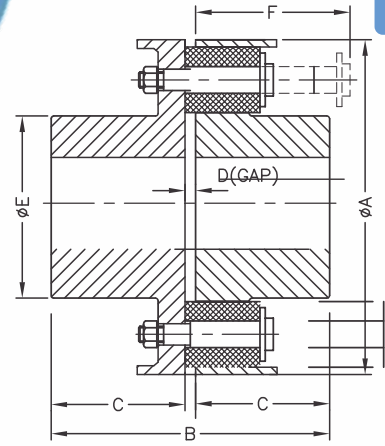
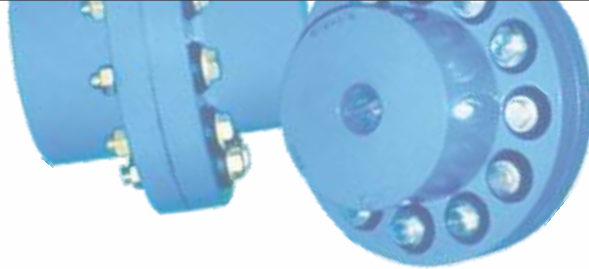
RIGID COUPLINGS

DIMENSION AND ENGINEERING DATA FOR RIGID COUPLING :

| Coupling No. | KW@ 100 RPM | Max Torque in KGM | Max Speed (RPM) | Wt. in Kg. | DIMENSIONS IN mm | | | | | | | No of Bolts |
|--------------|-------------|-------------------|-----------------|------------|------------------|------------|-----|-----|-----|-----|-----|-------------|
| | | | | | Max Bore | Pilot Bore | D | D1 | L1 | L | GAP | |
| RR-100 | 5.2 | 50 | 7500 | 5 | 45 | 15 | 120 | 65 | 45 | 93 | 3 | 6 |
| RR-101 | 10.5 | 100 | 6300 | 10 | 60 | 20 | 170 | 85 | 55 | 115 | 5 | 6 |
| RR-102 | 26.1 | 250 | 5000 | 16 | 75 | 20 | 185 | 110 | 65 | 135 | 5 | 6 |
| RR-103 | 45.5 | 440 | 4000 | 28 | 90 | 30 | 220 | 125 | 85 | 175 | 5 | 6 |
| RR-104 | 87.3 | 840 | 3000 | 45 | 110 | 40 | 250 | 150 | 100 | 205 | 5 | 8 |
| RR-105 | 136.5 | 1310 | 3000 | 65 | 130 | 50 | 290 | 180 | 105 | 220 | 10 | 8 |
| RR-106 | 209 | 2000 | 3000 | 90 | 150 | 60 | 320 | 200 | 115 | 240 | 10 | 8 |
| RR-107 | 360 | 3450 | 3000 | 130 | 170 | 75 | 350 | 240 | 130 | 270 | 10 | 10 |
| RR-108 | 470 | 4500 | 3000 | 195 | 200 | 90 | 380 | 285 | 145 | 300 | 10 | 12 |
| RR-109 | 585 | 5600 | 3000 | 225 | 220 | 100 | 430 | 315 | 155 | 320 | 10 | 10 |
| RR-110 | 857 | 8200 | 3000 | 330 | 260 | 125 | 490 | 370 | 170 | 350 | 10 | 12 |



TYPE-RR (RIGID COUPLING)



PINBUSH COUPLING WITH STRIGHT BUSH

DIMENSIONS AND ENGINEERING DATA FOR PIN BUSH COUPLING :

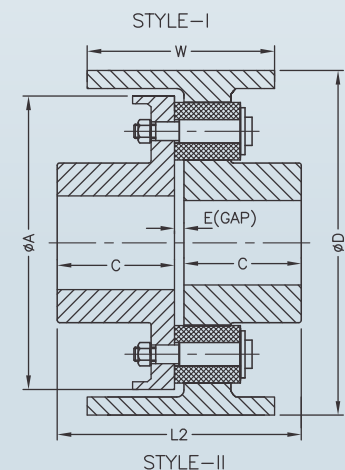
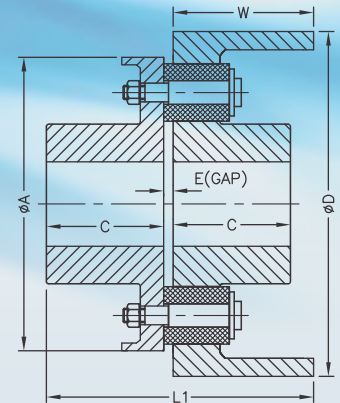
| Size | Power KW/100 RPM | Max Speed (RPM) | Max Torque in KGM | Wt. in Kg. | Bore (mm) | | A mm | B mm | C mm | D mm | E mm | F mm | No. of Pin |
|--------|------------------|-----------------|-------------------|------------|-----------|---------|------|------|------|------|------|------|------------|
| | | | | | Min. mm | Max. mm | | | | | | | |
| PB 1 | 0.81 | 6100 | 7.8 | 2 | 12 | 28 | 95 | 79 | 38 | 3 | 40 | 58 | 3 |
| PB 2 | 3.25 | 5100 | 31.5 | 3 | 12 | 32 | 114 | 99 | 48 | 3 | 42 | 70 | 4 |
| PB 2A | 5.4 | 4400 | 52.3 | 4 | 16 | 42 | 130 | 105 | 51 | 3 | 60 | 70 | 6 |
| PB 3 | 6.5 | 3600 | 62.9 | 7 | 16 | 48 | 160 | 107 | 51 | 5 | 68 | 114 | 4 |
| PB 4 | 9.7 | 3000 | 93.9 | 12 | 20 | 65 | 191 | 125 | 60 | 5 | 90 | 114 | 4 |
| PB 4A | 13 | 3000 | 125.9 | 12 | 20 | 65 | 191 | 125 | 60 | 5 | 90 | 114 | 6 |
| PB 5 | 17.4 | 2600 | 168.5 | 18 | 25 | 75 | 225 | 157 | 76 | 5 | 105 | 114 | 6 |
| PB 6 | 24.7 | 2300 | 239.2 | 24 | 45 | 95 | 254 | 183 | 89 | 5 | 135 | 114 | 8 |
| PB 6A | 30.7 | 2300 | 297.3 | 25 | 45 | 95 | 254 | 183 | 89 | 5 | 135 | 114 | 10 |
| PB 6B | 37 | 2300 | 358.3 | 26 | 45 | 95 | 254 | 183 | 89 | 5 | 135 | 114 | 12 |
| PB 7 | 43.5 | 1950 | 421.3 | 40 | 60 | 115 | 290 | 235 | 115 | 5 | 170 | 114 | 12 |
| PB 7A | 54.4 | 1900 | 526.8 | 45 | 60 | 120 | 300 | 235 | 115 | 5 | 180 | 130 | 14 |
| PB 8 | 60.9 | 1850 | 589.8 | 50 | 65 | 130 | 310 | 255 | 125 | 5 | 195 | 130 | 16 |
| PB 8A | 76.1 | 1650 | 737 | 65 | 65 | 135 | 340 | 265 | 130 | 5 | 200 | 130 | 18 |
| PB 8B | 91.4 | 1600 | 885.1 | 75 | 70 | 140 | 360 | 276 | 135 | 6 | 210 | 200 | 12 |
| PB 9 | 103.3 | 1475 | 1012 | 105 | 80 | 150 | 390 | 316 | 155 | 6 | 225 | 200 | 13 |
| PB 9A | 140 | 1400 | 1353 | 140 | 90 | 160 | 410 | 336 | 165 | 6 | 240 | 200 | 15 |
| PB 10 | 151.7 | 1300 | 1470 | 170 | 100 | 170 | 440 | 366 | 180 | 6 | 255 | 200 | 16 |
| PB 10A | 189.6 | 1200 | 1840 | 220 | 110 | 180 | 480 | 386 | 190 | 6 | 270 | 212 | 17 |
| PB 11 | 250 | 1080 | 2425 | 260 | 120 | 190 | 530 | 406 | 200 | 6 | 285 | 212 | 20 |

PINBUSH TYPE BRAKE DRUM COUPLING

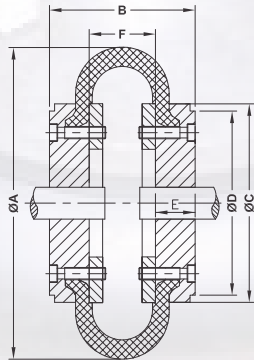
DIMENSIONS AND ENGINEERING DATA FOR PIN BUSH BRAKE DRUM COUPLING :

| Coupling No. | Brake Drum Size øDXW | KW@ 100 RPM | Max Torque in mm | Max Speed (RPM) | Wt. in Kg. | DIMENSIONS IN mm | | | | | | | No. of Pin |
|--------------|----------------------|-------------|------------------|-----------------|------------|------------------|------------|-----|-----|---|-----|-----|------------|
| | | | | | | Max. Bore | Pilot Bore | A | C | E | L1 | L2 | |
| PBD 100 | ø 100X70 | 0.6 | 5.8 | 3000 | 3 | 24 | 12 | 90 | 35 | 3 | 108 | 73 | 4 |
| PBD 150 | ø 150X85 | 5.4 | 52.3 | 3000 | 8 | 42 | 16 | 130 | 45 | 3 | 133 | 93 | 6 |
| PBD 160 | ø 160X85 | 5.4 | 52.3 | 3000 | 10 | 42 | 16 | 130 | 45 | 3 | 133 | 93 | 6 |
| PBD 200 | ø 200X95 | 6.5 | 62.9 | 3000 | 16 | 48 | 16 | 160 | 50 | 5 | 150 | 105 | 4 |
| PBD 250 | ø 250X120 | 9.7 | 93.9 | 3000 | 30 | 65 | 20 | 191 | 60 | 5 | 185 | 125 | 4 |
| PBD 300 | ø 300X160 | 24.7 | 239.2 | 2300 | 50 | 95 | 45 | 254 | 90 | 5 | 255 | 185 | 8 |
| PBD 315 | ø 315X160 | 24.7 | 239.2 | 2300 | 58 | 95 | 45 | 254 | 90 | 5 | 255 | 185 | 8 |
| PBD 400 | ø 400X180 | 76.1 | 737.0 | 1500 | 110 | 135 | 65 | 340 | 130 | 5 | 315 | 265 | 18 |
| PBD 450 | ø 450X200 | 76.1 | 737.0 | 1500 | 135 | 135 | 65 | 340 | 130 | 5 | 335 | 265 | 18 |
| PBD 500 | ø 500X225 | 91.4 | 885.1 | 1500 | 225 | 140 | 65 | 360 | 135 | 6 | 366 | 276 | 12 |
| PBD 630 | ø 630X250 | 139.0 | 1346.1 | 1500 | 315 | 160 | 90 | 410 | 165 | 6 | 421 | 336 | 16 |
| PBD 710 | ø 710X275 | 150.0 | 1362.3 | 1500 | 425 | 170 | 110 | 440 | 180 | 6 | 461 | 366 | 16 |

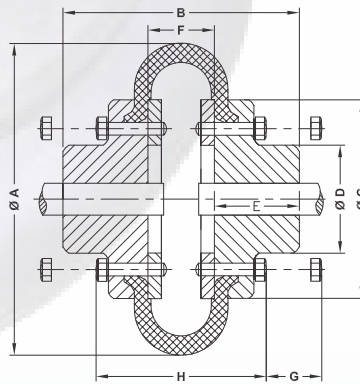
Consult for Higher Speed



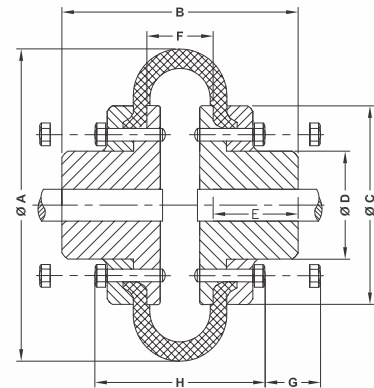
TYRE COUPLING



FTC-40 TO FTC-60



FTC-70 TO FTC-120



FTC-140 TO FTC-180

DIMENSIONS AND ENGINEERING DATA FOR TYRE FLEXIBLE COUPLING :

| Size | Power KW/100 RPM | Max Speed (RPM) | Bore (mm) | | A mm | B mm | C mm | D mm | E mm | F mm | G mm | H mm | Approx Wts. (Kgs.) |
|---------|------------------|-----------------|-----------|------|------|------|------|------|------|------|------|------|--------------------|
| | | | Min. | Max. | | | | | | | | | |
| FTC-40 | 0.22 | 4500 | 13 | 30 | 104 | 66 | 82 | | 22 | 22 | 43 | | 1.6 |
| FTC-45 | 0.39 | 4500 | 13 | 32 | 120 | 74 | 94 | | 25 | 24 | 43 | | 2 |
| FTC-50 | 0.56 | 4500 | 18 | 38 | 133 | 89 | 100 | 79 | 32 | 25 | 43 | | 2.4 |
| FTC-60 | 1.11 | 4500 | 18 | 48 | 165 | 109 | 125 | 73 | 38 | 33 | 43 | | 4 |
| FTC-70 | 1.7 | 3600 | 20 | 55 | 197 | 130 | 144 | 82 | 45 | 40 | 10 | 101 | 6.2 |
| FTC-80 | 2.65 | 3100 | 26 | 65 | 211 | 145 | 167 | 95 | 51 | 43 | 10 | 106 | 9.6 |
| FTC-85 | 3.2 | 3000 | 32 | 70 | 222 | 150 | 179 | 103 | 53 | 44 | 13 | 107 | 11.5 |
| FTC-90 | 3.82 | 2880 | 32 | 76 | 235 | 160 | 188 | 110 | 57 | 46 | 13 | 119 | 14 |
| FTC-100 | 5.29 | 2600 | 32 | 85 | 254 | 168 | 216 | 124 | 60 | 48 | 13 | 123 | 20 |
| FTC-110 | 7.46 | 2300 | 32 | 90 | 279 | 174 | 133 | 134 | 65 | 44 | 14 | 137 | 26 |
| FTC-120 | 12.4 | 2050 | 39 | 102 | 314 | 201 | 264 | 152 | 76 | 49 | 14 | 140 | 32 |
| FTC-140 | 19.7 | 1800 | 76 | 120 | 359 | 211 | 311 | 195 | 89 | 24 | 14 | 152 | 54 |
| FTC-160 | 32.6 | 1600 | 75 | 140 | 402 | 234 | 345 | 216 | 102 | 30 | 19 | 156 | 82 |
| FTC-180 | 57.4 | 1500 | 75 | 175 | 470 | 274 | 398 | 266 | 114 | 46 | 19 | 188 | 126 |

