

## Features :

- All Metal Construction having no fast wearing out components
- Torsionally flexible
- Transmit full torque with dampened vibration and deduced peak load
- Accommodates angular, parallel and axial misalignment
- High ratings
- Versatile design and interchangeability
- Easy assembly and maintenance
- Very low Downtime
- Longer service life.

**Flexocon**



# Grid Spring Resilient coupling

**Flexocon** Grid Spring Resilient Coupling comprises mainly two Hubs, Grid spring and Cover to protect the Spring to fly off due to centrifugal force and to prevent Grease to come out. The grid Spring element is so designed that it provides required resiliency for variable flexibility of a Coupling and considerable damping properties making the Coupling very suitable for drives involving high shock loads to the extent of 80%



LIGHT LOAD

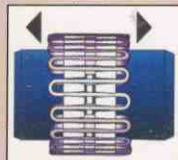


NORMAL LOAD



SHOCK LOAD

Misalignment - Angular, Parallel or Axial, that inevitably occurs between rotating shafts, which are independently supported, is also taken care of by the spring element within allowable limits.



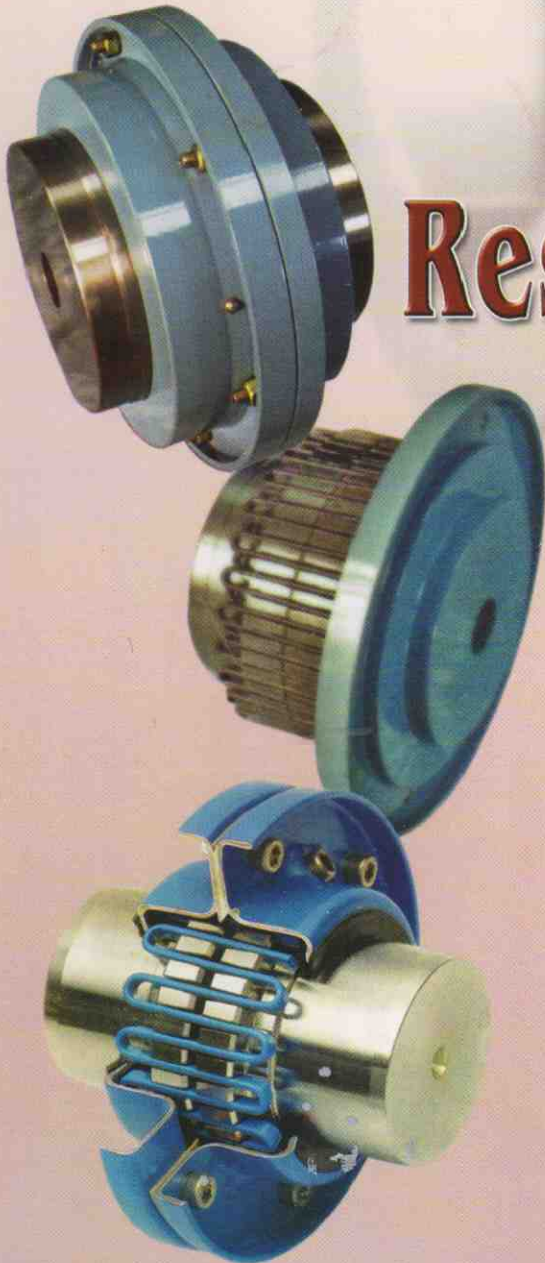
AXIAL



PARALLEL

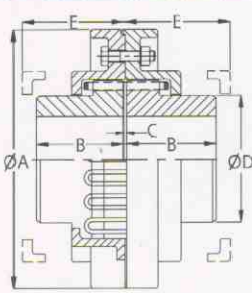


ANGULAR

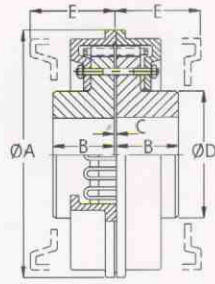


# STANDARD COUPLING

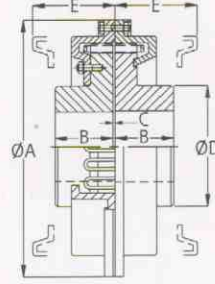
◆ Type : V & A



SIZE : GRC-105 TO GRC-425

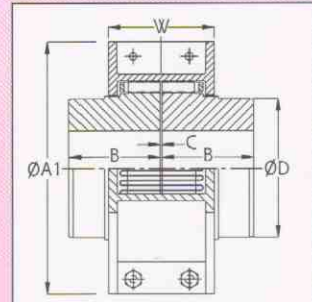


SIZE : GRC-432 TO GRC-492



SIZE : GRC-686 TO GRC-1150

**TYPE V : VERTICALLY SPLIT COVER**



SIZE : GRC-105 TO GRC-492

**TYPE A : AXIALLY SPLIT COVER**

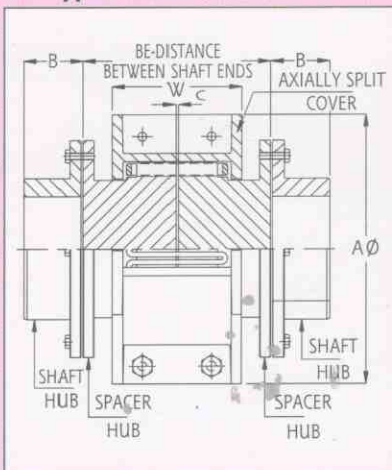
◆ DIMENSIONS AND ENGINEERING DATA FOR GRID SPRING RESILIENT COUPLING:

Coupling No.	Power KW/100 RPM	Max Torque Kgm.	Safe Speed RPM	wt. in Kg.	DIMENSIONS								
					Max. Bore	Pilot Bore	A	A1	B	C (Gap)	D	E	W
GRC-105	0.45	4.3	5800	3	29	10	105	104	38	0.8	45	52	57
GRC-120	0.75	7.2	5200	4	38	12	120	120	38	0.8	59	55	64.5
GRC-144	1.50	14.4	4600	5	42	16	144	127	45	0.8	62	65	64.5
GRC-172	2.25	21.6	3600	8	58	16	172	159	51	0.8	87	65	66
GRC-190	3.35	32.2	3300	12	55	16	190	178	51	0.8	84	80	84.5
GRC-197	4.85	46.6	3100	17	65	16	197	190	57	0.8	97	80	85
GRC-222	7.10	68.2	2750	20	80	25	222	222	64	0.8	119	80	86.5
GRC-254	9.35	89.8	2400	27	95	25	254	244	70	0.8	143	80	86.5
GRC-276	13.80	132.5	2000	42	110	25	276	267	89	1.6	165	80	86.5
GRC-295	26.50	254.4	1900	54	105	38	295	276	102	1.6	156	130	138
GRC-324	33.90	325.4	1800	65	125	50	324	324	102	1.6	187	150	157
GRC-336	48.80	468.5	1600	75	125	50	336	336	102	1.6	184	150	157
GRC-375	67.50	648.0	1400	105	150	50	375	381	114	1.6	222	150	159
GRC-425	93.50	897.6	1200	150	170	50	425	425	127	1.6	254	150	160
GRC-432	179.40	1722.25	1100	180	160*	75	432	502	140	3.2	237°	180	180
GRC-492	261.50	2510.4	1100	220	175*	85	492	552	152	3.2	260°	180	180
GRC-686	414.00	3975.0	1200	410	205	110	686		178	3.2	285	215	
GRC-781	563.25	5407.0	1050	550	230	125	781		203	3.2	324	215	
GRC-876	787.00	7555.0	900	875	260	140	876		228	6.4	368	255	
GRC-1016	1309.2	12570.0	750	1200	290	150	1016		228	6.4	406	255	
GRC-1030	1567.0	15045.0	750	1500	320	165	1030		280	6.4	450	335	
GRC-1150	2015.0	19345.0	650	2000	350	165	1150		305	6.4	495	335	

◆ For axially split cover safe speed is 70% of the above figures ◆ Consult for Higher Speed ◆ All dimensions are in mm  
 ° Dimension D for 'A' Type GRC 432=302 mm & for GRC 492=349 mm \* Max Bore for 'A' type GRC 432=200 mm & GRC492=235 mm

# SPACER TYPE COUPLING

◆ Type : FS



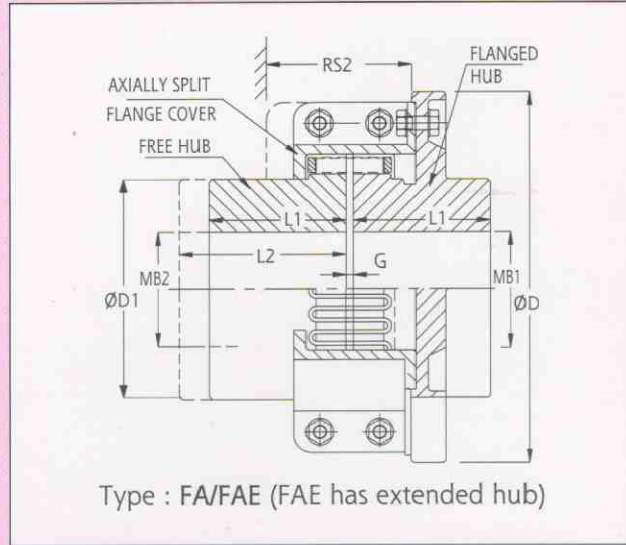
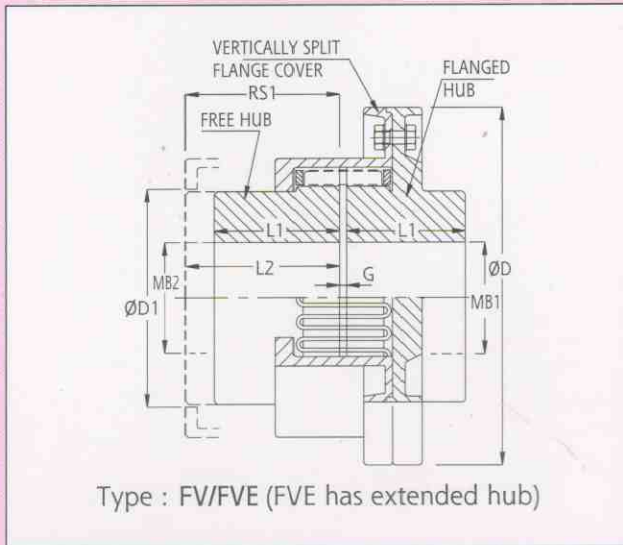
◆ DIMENSIONS AND ENGINEERING DATA FOR SPACER TYPE COUPLING:

Coupling No.	Power KW/100 RPM	OD	Hub Length		Space between Shaft Ends (BE)		Cover Length W	Gap C	Max Bore	Pilot Bore
			A	B	Min	Max				
GRC 105	0.45	105	35	35	76.20	95.25	57	3	29	10
GRC 120	0.75	127	35	35	76.20	203.20	65	3	40	12
GRC 144	1.50	127	41	41	88.90	215.90	65	3	42	16
GRC 172	2.25	159	54	54	101.60	215.90	66	3	58	16
GRC 190	3.35	178	62	62	112.00	215.90	85	3	54	16
GRC 197	4.85	190.5	73	73	114.30	330.20	85	3	64	16
GRC 222	7.10	222	80	80	127.00	330.20	87	3	78	25
GRC 254	9.35	244.5	83	83	139.70	330.20	87	3	92	25
GRC 276	13.80	267	90	90	177.80	406.40	87	3	108	25
GRC 295	26.50	276	102	102	203.20	406.40	138	5	102	38
GRC 324	33.90	324	120	120	203.20	406.40	157	5	123	50
GRC 336	48.80	336.5	140	140	203.20	406.40	137	5	126	50
GRC 375	67.50	381	159	159	228.60	406.40	159	5	146	50
GRC 425	93.50	425	181	181	254.00	406.40	161	5	167	50

◆ Other dimensions as per Standard Coupling Type 'A' ◆ All dimensions are in mm

## FLANGED TYPE COUPLING

Type : FV/FVE & FA/FAE



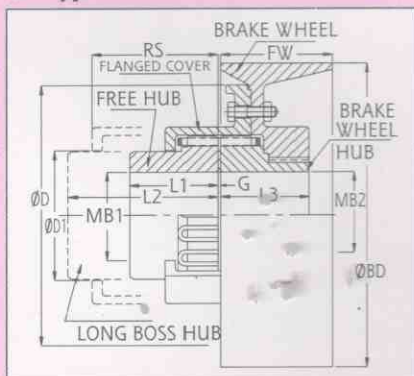
◆ **DIMENSIONS AND ENGINEERING DATA FOR FLANGED RESILIENT COUPLING:**

Size	Power KW/100 RPM	Max Torque Kgm.	wt. in Kg. FV/FA	Safe Speed		Pilot Bore	Max. Bore		ØD	L1	L2	RS1	RS2	G	D1
				FV/FVE	FA/FAE		FV/FA	FVE/FAE							
GRC-105	0.45	4.3	3.5	7000		10	29	25	105	38	70	80		0.8	41
GRC-120	0.75	7.2	4	6000		12	38	30	126	38	70	80		0.8	58
GRC-144	1.50	14.4	5	5500	3000	16	42	35	152	45	80	85	60	0.8	57
GRC-172	2.25	21.6	9	4500	2700	16	58	50	178	51	80	85	60	0.8	75
GRC-190	3.35	32.2	10	4000	2500	16	55	55	193	51	111	87	60	0.8	88
GRC-197	4.85	46.6	14	3750	2400	16	65	60	209	57	114	117	80	0.8	95
GRC-222	7.10	68.2	20	3600	2100	25	80	75	228	64	114	117	80	0.8	117
GRC-254	9.35	89.8	29	3500	1800	25	95	86	263	70	114	117	80	0.8	133
GRC-276	13.80	132.5	40	3300	1700	25	110	100	285	89	141	117	80	0.8	155
GRC-295	26.50	254.4	59	3200	1500	38	105	100	311	102	183	187	130	1.6	155
GRC-295A	18.70	178.8	56	3000	1650	38	105	100	305	102	176	187	130	1.6	152
GRC-324	33.90	325.4	79	2750	1350	50	125	120	349	102	208	217	150	1.6	183
GRC-336	48.80	468.5	84	2500	1300	50	125	125	362	102	208	217	150	1.6	187
GRC-375	67.50	648.0	118	2250	1150	50	150	135	400	114	208	217	150	1.6	218
GRC-425	93.60	897.6	160	2000	1050	50	170	165	438	127	208	217	150	1.6	244
GRC-425A	125.00	1198.72	180	1850	950	70	180	175	475	139	214	241	165	1.6	266
GRC-425B	150.00	1438.46	200	1750	900	70	180	175	533	152	214	241	165	1.6	307
GRC-432	179.40	1722.25	215	1700	850	75	160	150	521	140	225	245	170	3.2	239
GRC-492	261.50	2510.4	275	1500	750	85	175	165	578	152	240	245	170	3.2	266

◆ All dimensions are in mm

## BRAKE DRUM COUPLING

◆ Type : BD



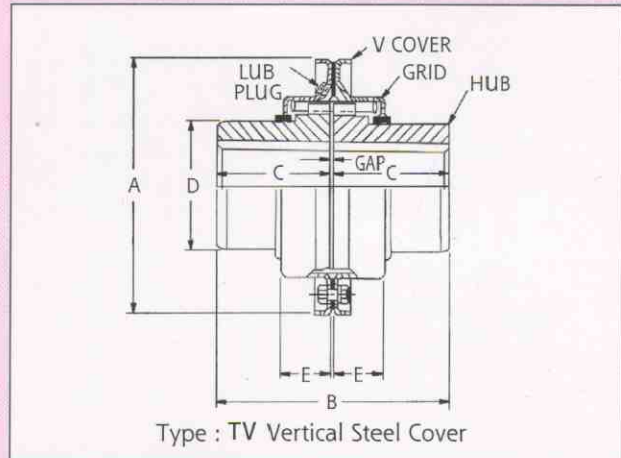
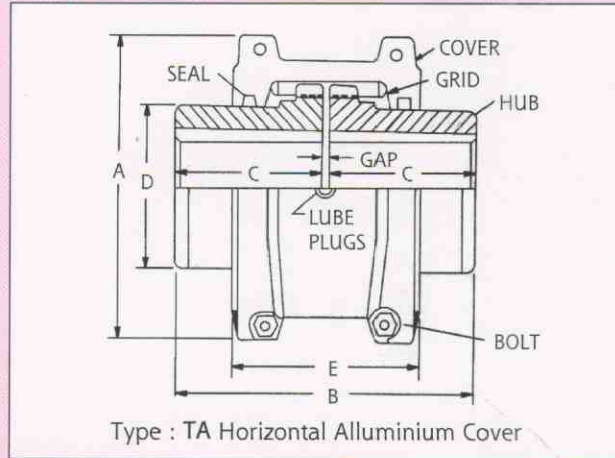
◆ **DIMENSIONS AND ENGINEERING DATA FOR BRAKE DRUM RESILIENT COUPLING:**

Coupling Size	Brake Drum Dia. BD	Face Width FW	Power KW 100 RPM	Max. Torque KGM	Safe Speed RPM	Pilot Bore	Max. Bore		ØD	L3
							MB1	MB2		
GRC-144 BD 150	150	75	1.50	14.4	3500	16	42	35	152	80
GRC-144 BD 160	160	80	1.50	14.4	3400	16	42	35	152	80
GRC-172 BD 200	200	100	2.25	21.6	3200	16	48	45	178	85
GRC-197 BD 250	250	110	4.85	46.6	2650	16	65	60	209	114
GRC-254 BD 300	300	140	9.35	89.8	2400	25	95	86	263	114
GRC-276 BD 315	315	150	13.80	132.5	2120	25	110	100	285	141
GRC-295 BD 400	400	175	26.50	254.4	1670	38	105	100	311	183
GRC-324 BD 500	500	200	33.90	325.4	1335	50	125	120	349	208
GRC-375 BD 630	630	225	67.50	648.0	1050	50	150	135	400	208

◆ Other dimensions as per Flanged Coupling Type FV ◆ All dimensions are in mm

## TAPER GRID COUPLING

### ◆ Type : TV / TA



### ◆ ENGINEERING DATA

Coupling Size	KW Per 100 RPM	Max Speed (rpm)		Basic Torque (Kg.m)	Bore Dia (MM)		Coupling Wt. (kg.)		Lube Wt. (Kg.)	Eqv. Size
		A-Type	V-Type		Max.	Min.	A-Type	V-Type		
GRC-20T	0.55	4,500	6,000	5.3	30	12	1.9	2	0.03	1020
GRC-30T	1.58	4,500	6,000	15.2	35	12	2.6	2.6	0.03	1030
GRC-40T	2.65	4,500	6,000	25.4	43	12	3.4	3.4	0.05	1040
GRC-50T	4.60	4,500	6,000	44.4	50	12	5.4	5.4	0.05	1050
GRC-60T	7.30	4,350	6,000	69.8	55	19	7.3	7.3	0.09	1060
GRC-70T	10.40	4,125	5,500	100.0	65	19	10	10.4	0.11	1070
GRC-80T	21.90	3,600	4,750	210.0	78	27	17	17.7	0.17	1080
GRC-90T	39.60	3,600	4,000	380.0	95	27	25	25.4	0.25	1090
GRC-100T	66.70	2,400	3,250	640.0	107	41	42	42.2	0.43	1100
GRC-110T	99.00	2,250	3,000	950.0	117	41	54	54.4	0.51	1110
GRC-120T	145.80	2,025	2,700	1400.0	136	60	81	81.6	0.73	1120
GRC-130T	211.50	1,800	2,400	2030.0	165	67	121	122.5	0.91	1130
GRC-140T	304.20	1,650	2,200	2920.0	184	67	178	180.1	1.13	1140

### ◆ DIMENSIONS

Coupling Size	A		B	C	D	E		Gap (mm)			Eqv. Size
	A-Type	V-Type				A-Type	V-Type	Min.	Normal	Max.	
GRC-20T	101.6	111.1	98	47.5	39.7	66.5	24.2	1.5	3	4.5	1020
GRC-30T	110	120.7	98	47.5	49.2	68.3	25	1.5	3	4.5	1030
GRC-40T	117.5	128.5	104.6	50.8	57.1	70	25.7	1.5	3	4.5	1040
GRC-50T	138	147.6	123.6	60.3	66.7	79.5	31.2	1.5	3	4.5	1050
GRC-60T	150.5	162	130	63.5	76.2	92	32.2	1.5	3	4.5	1060
GRC-70T	161.9	173	155.4	76.2	87.3	95	33.7	1.5	3	4.5	1070
GRC-80T	194	200	180.8	88.9	105	116	44.2	1.5	3	4.5	1080
GRC-90T	213	231.8	199.8	98.4	124	122	47.7	1.5	3	6	1090
GRC-100T	250	266.7	245.7	120.6	142	155.5	60	1.5	3	6	1100
GRC-110T	270	285.8	258.5	127	160	161.5	64.2	1.5	4.5	9.5	1110
GRC-120T	308	319	304.4	149.2	179	191.5	73.4	1.5	4.5	9.5	1120
GRC-130T	346	377.8	329.8	161.9	218	195	75.1	1.5	6	12.5	1130
GRC-140T	384	416	371.6	182.8	254	201	78.2	1.5	6	12.5	1140

◆ All Dimensions are in mm

NOTE : In view of our constant endeavour to improve the design and quality of our product, we reserve the right to change specifications/dimensions without notice

## Flexocon Engineers (P) Ltd.

Sales Office :

Abakash Apartment, Flat 1C, 14 MIG Housing Estate, Sodepur, Kolkata 700 110, India  
 Phone : 91 33 2523 0864, 91 33 2523 2295. Fax : 91 33 2523 0866.

Regd. Office & Works :

29 Dr. Gopal Chatterjee Road, Sukchar, Kolkata 700 115, India. Phone : 91 33 2523 4203. Fax : 91 33 2568 7450.

e-mail : info@flexoconindia.com / flexocon@sify.com / flexocon@gmail.com Web site : http://www.flexoconindia.com

